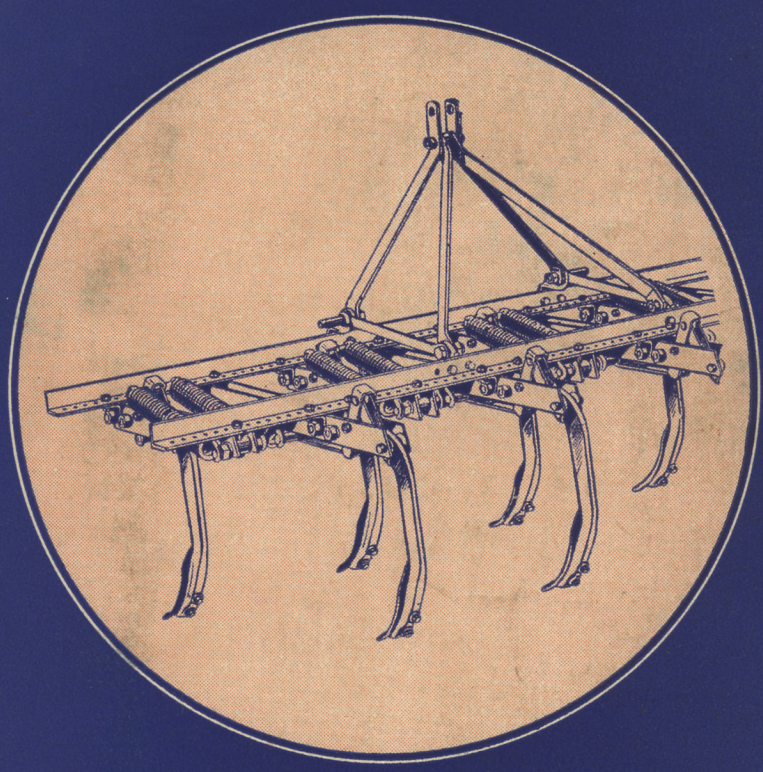


*Harry Ferguson, Ltd.*  
*Coventry*



**TILLER**  
**PARTS**  
**LIST**  
**1 9 4 9**



## FOREWORD

*Ferguson* Tractors and Implements are designed and built for maximum performance and long life, and all service parts are manufactured with the same care and precision exercised in production.

STOCK AND SELL ONLY GENUINE

*Ferguson* SPARE PARTS

YOUR CUSTOMERS EXPECT IT OF YOU!!



# TILLER PARTS LIST

## NUMERICAL INDEX

Part No.	Description	Page No.
BE150A	Shovel ... ..	5
BE3820B1-2	Tine ... ..	5
BE3850	Angle Bracket ... ..	5
BE7010	Spring ... ..	5
KE7820	Bar ... ..	3
BE7825B	Bracket ... ..	3
KE7826B	Bracket ... ..	3
BE7845	Frame ... ..	5
BE7846B	Frame ... ..	7
BE7862B	Stay ... ..	3
BE8019C	Strut ... ..	3
BE8020C	Strut ... ..	3
BE8021	Strut ... ..	3
KE9551	Spacer ... ..	3
BE9552	Spacer ... ..	5
BE9555	Pin ... ..	3
BE9557	Anchor and Connector Assembly ... ..	7
BE9560A4	Stop... ..	7
BE9561	Toggle Link Spacer and Anchor Assembly ... ..	5
BE9562	Toggle Link Spacer and Rivet Assembly ... ..	7
BE9568	Pivot ... ..	5
BE9571	Spacer ... ..	5
BE9572	Spacer ... ..	7
AE9575C	Stopper ... ..	3
NKE9681	Washer ... ..	5 & 7
44FBC106B	Bolt ... ..	5
44FBH68B	Bolt ... ..	5 & 7
44FBH262B	Bolt ... ..	5 & 7
50FBH136B	Bolt ... ..	3
44FBK150B	Bolt ... ..	5 & 7
44FBK175B	Bolt ... ..	5 & 7
62FBH188B	Bolt ... ..	3
62FBH294B	Bolt ... ..	5 & 7
62FBH325B	Bolt ... ..	5 & 7
62FBH340B	Bolt ... ..	3
44FNHC	Nut ... ..	5 & 7
50FNHC	Nut ... ..	3
62FNHC	Nut ... ..	3
75FNHC	Nut ... ..	5 & 7
44WLB	Washer ... ..	5 & 7
50WLB	Washer ... ..	3
62WLB	Washer ... ..	3
75WLB	Washer ... ..	5 & 7
12PC88	Pin Cotter ... ..	5 & 7
50PS131	Pin Shoulder ... ..	5 & 7

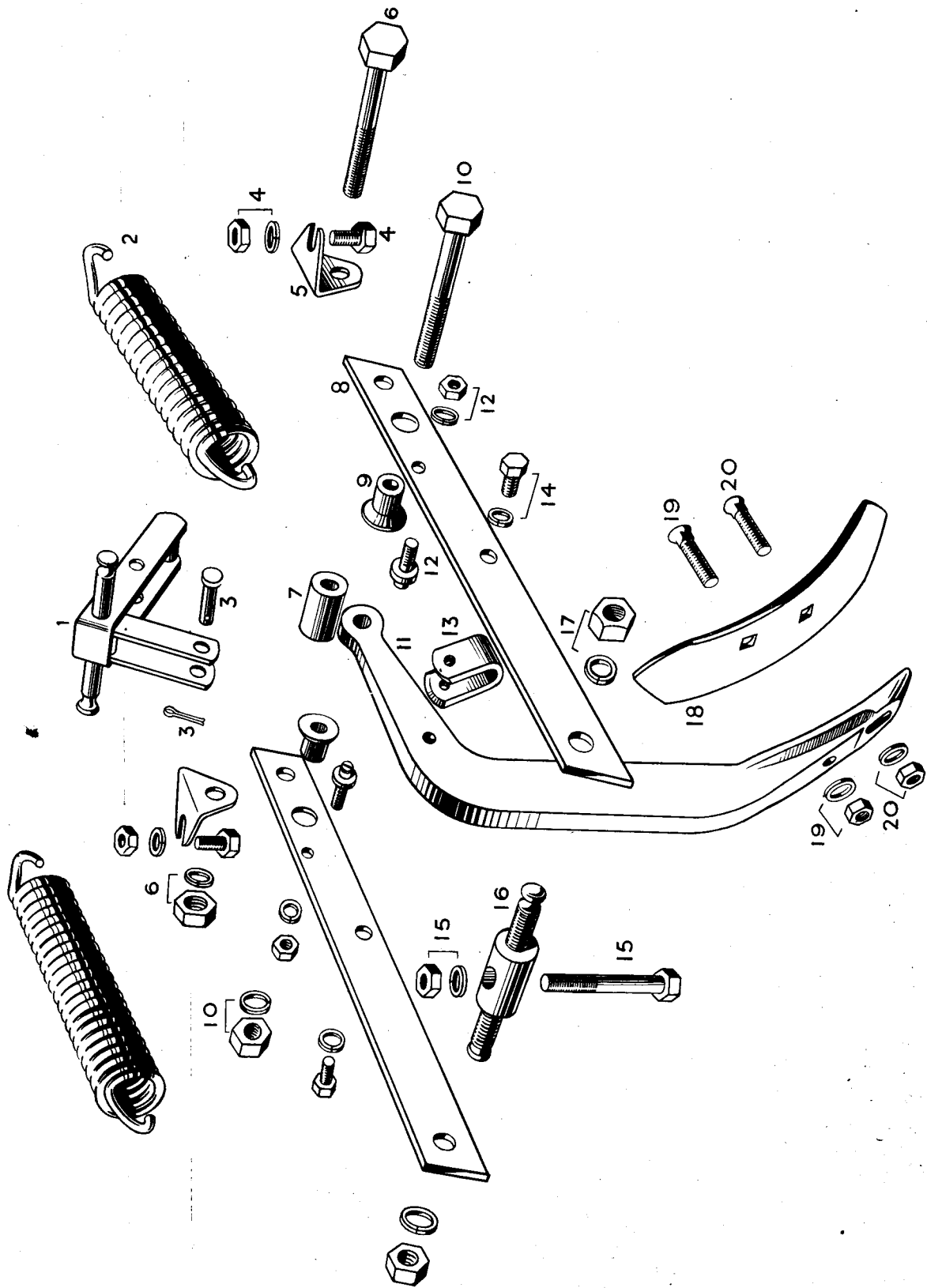


Fig. ii.

**T I L L E R P A R T S L I S T**

**Fig. ii**

Ref. No.	Part No.	Description	No. Off	Remarks
<b>FRONT TINE ASSEMBLY</b>				
<b>comprising :</b>				
1	BE9561	<b>Toggle Link Spacer and Anchor Assembly</b> ... ..	5	
2	BE7010	<b>Spring—Cultivator</b> ... ..	10	
3	50PS131	<b>Pin—Shoulder—Toggle Link</b> ... ..	5	
	12PC88	<b>Pin—Cotter</b> ... ..	5	
4	44FBC106B	<b>Bolt—Angle Bracket to Main Frame</b> ... ..	10	
	44FNHC	<b>Nut—Angle Bracket to Main Frame</b> ... ..	10	
	44WLB	<b>Washer—Angle Bracket to Main Frame</b> ... ..	10	
5	BE3850	<b>Angle Bracket</b> ... ..	10	
6	62FBH325B	<b>Bolt—Angle Bracket to Frame to Angle Bracket</b> ... ..	5	
	62FNHC	<b>Nut—Angle Bracket to Frame to Angle Bracket</b> ... ..	5	
	62WLB	<b>Washer—Angle Bracket to Frame to Angle Bracket</b> ... ..	5	
7	BE9571	<b>Spacer—Frame</b> ... ..	5	
8	BE7845	<b>Frame—Front</b> ... ..	10	
9	BE9552	<b>Spacer—Tine</b> ... ..	10	
10	62FBH294B	<b>Bolt—Frame to Spacer to Frame</b> ... ..	5	
	62FNHC	<b>Nut—Frame to Spacer to Frame</b> ... ..	5	
	62WLB	<b>Washer</b> ... ..	5	
11	BE3820B1-2	<b>Tine—Tiller</b> ... ..	5	
12	BE9568	<b>Pivot—Toggle</b> ... ..	10	
	44FNHC	<b>Nut—Pivot</b> ... ..	10	
	44WLB	<b>Washer</b> ... ..	10	
13	BE9560A4	<b>Stop—Tine</b> ... ..	5	
14	44FBH68B	<b>Bolt—Stop—Tine</b> ... ..	10	
	44WLB	<b>Washer—Stop—Tine</b> ... ..	10	
15	44FBH262B	<b>Bolt—Spacer Frame and Anchor to Angle Bar</b> ... ..	5	
	44FNHC	<b>Nut—Spacer Frame and Anchor to Angle Bar</b> ... ..	5	
	44WLB	<b>Washer—Spacer Frame and Anchor to Angle Bar</b> ... ..	5	
16	BE9572	<b>Spacer Frame and Anchor</b> ... ..	5	
17	75FNHC	<b>Nut—Spacer Frame and Anchor</b> ... ..	10	
	75WLB	<b>Washer—Spacer Frame and Anchor</b> ... ..	10	
18	BE150A.	<b>Shovel—Reversible Point</b> ... ..	5	
19	44FBK175B	<b>Bolt—Shovel to Tine</b> ... ..	5	
	44FNHC	<b>Nut—Shovel to Tine</b> ... ..	5	
	NKE9681	<b>Washer—Shovel to Tine 7/16</b> ... ..	5	
20	44FBK150B	<b>Bolt—Shovel to Tine</b> ... ..	5	
	44FNHC	<b>Nut—Shovel to Tine</b> ... ..	5	
	NKE9681	<b>Washer—Shovel 7/16</b> ... ..	5	

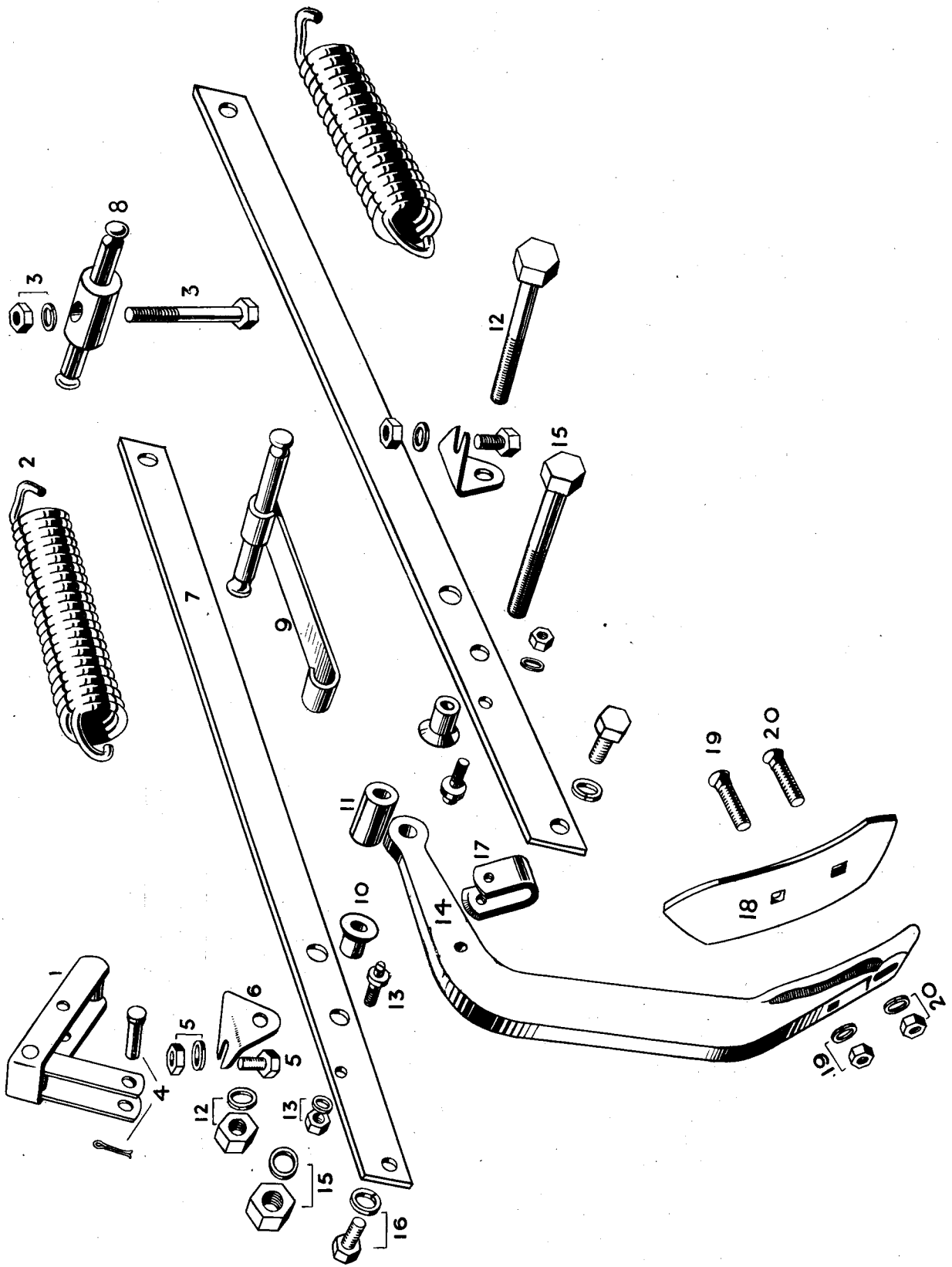


Fig. iii.

TILLER PARTS LIST

Fig. iii.

Ref. No.	Part No.	Description	No. Off	Remarks
<b>REAR TINE ASSEMBLY</b>				
<b>comprising :</b>				
1	BE9562	<b>Toggle Link Pin and Spacer Assembly</b> ... ..	4	
2	BE7010	<b>Spring—Cultivator</b> ... ..	8	
3	44FBH262B	<b>Bolt—Spacer Frame and Anchor to Tiller Frame</b> ... ..	4	
	44FNHC	<b>Nut—Spacer Frame and Anchor to Tiller Frame</b> ... ..	4	
	44WLB	<b>Washer—Spacer Frame and Anchor to Tiller Frame</b> ... ..	4	
4	50PS131	<b>Pin—Shoulder—Toggle Link</b> ... ..	4	
	12PC88	<b>Pin—Cotter</b> ... ..	4	
5	44FBC106B	<b>Bolt—Angle Bracket to Tiller Frame</b> ... ..	8	
	44FNHC	<b>Nut—Angle Bracket to Tiller Frame</b> ... ..	8	
	44WLB	<b>Washer—Angle Bracket to Tiller Frame</b> ... ..	8	
6	BE3850	<b>Bracket—Angle</b> ... ..	8	
7	BE7846B	<b>Frame—Rear</b> ... ..	8	
8	BE9572	<b>Spacer—Frame and Anchor</b> ... ..	4	
	75FNHC	<b>Nut—Spacer Frame and Anchor</b> ... ..	8	
	75WLB	<b>Washer—Spacer Frame and Anchor</b> ... ..	8	
9	BE9557	<b>Spring Anchor and Connector Assembly</b> ... ..	4	
10	BE9552	<b>Spacer—Tine</b> ... ..	8	
11	BE9571	<b>Spacer—Frame</b> ... ..	4	
12	62FBH325B	<b>Bolt—Angle Bracket to Frame to Angle Bracket</b> ... ..	4	
	62FNHC	<b>Nut—Angle Bracket to Frame to Angle Bracket</b> ... ..	4	
	62WLB	<b>Washer—Angle Bracket to Frame to Angle Bracket</b> ... ..	4	
13	BE9568	<b>Pivot—Toggle</b> ... ..	8	
	44FNHC	<b>Nut—Pivot</b> ... ..	8	
	44WLB	<b>Washer—Pivot</b> ... ..	8	
14	BE3820B1-2	<b>Tine—Tiller</b> ... ..	4	
15	62FBH294B	<b>Bolt—Frame to Spacer to Frame</b> ... ..	4	
	62FNHC	<b>Nut—Frame to Spacer to Frame</b> ... ..	4	
	62WLB	<b>Washer—Frame to Spacer to Frame</b> ... ..	4	
16	44FBH68B	<b>Bolt—Stop—Tine</b> ... ..	8	
	44WLB	<b>Washer—Stop—Tine</b> ... ..	8	
17	BE9560A4	<b>Stop—Tine</b> ... ..	4	
18	BE150A	<b>Shovel—Reversible Point</b> ... ..	4	
19	44FBK175B	<b>Bolt—Shovel to Tine</b> ... ..	4	
	44FNHC	<b>Nut—Shovel to Tine</b> ... ..	4	
	NKE9681	<b>Washer—Shovel 7/16</b> ... ..	4	
20	44FBK150B	<b>Bolt—Shovel to Tine</b> ... ..	4	
	44FNHC	<b>Nut—Shovel to Tine</b> ... ..	4	
	NKE9681	<b>Washer—Shovel 7/16</b> ... ..	4	